



Permissions For Reprints Contact: 1-800-640-8285

## How To Rescue Jewelry Stuck in Sink or Unblock Trap

There is probably more treasure in the New York sewer system than in half-a-dozen sunken Spanish galleons. This is due primarily to the fact that when you see a ring or other item of value go down the drain, you give it up for lost. Belay! Just seeing things disappear is salvation itself! Here's how to effect the rescue.

### Utensils

Dishpan or pot  
Adjustable wrench  
Stiff wire or snake (for blockage)

### Ingredients

Petroleum jelly  
Cotton thread

### Approximate Time: 20 Minutes

1. Do not turn on water faucet until procedure is completed.
2. Under sink you will see a U-shaped pipe known as the trap. At the bottom is a thin, circular, threaded fitting or plug (Fig. 71 A). Place dishpan beneath the trap to catch escaping water.
3. Remove the plug with wrench, turning counterclockwise. Once plug is removed, the water and the lost item swimming in it will flow out into the dishpan.
4. If there is no plug on your trap, the trap itself will have to be removed, as shown in Figure 71B.
5. Clean plug thoroughly and lubricate with petroleum jelly.
6. Replace plug or trap, whichever applies to you. Tighten carefully.
7. Turn on water faucet and then allow water to run while you check for leaks beneath the sink. Pipes should be dry if you have replaced plug well.
8. If there is a leak, do not attempt to over tighten plug as this will strip the threads.
9. Remove plug or trap and wind some cotton thread around the threaded sections.
10. Smear cotton thread with petroleum jelly and reinsert plug
11. Check again for leaks. There won't be any. If there are, however, check the index for fixing leaky pipes.

Note: Identical procedure may be followed to remove blockage in sink trap, except that trap interior must be reamed with wire or snake.

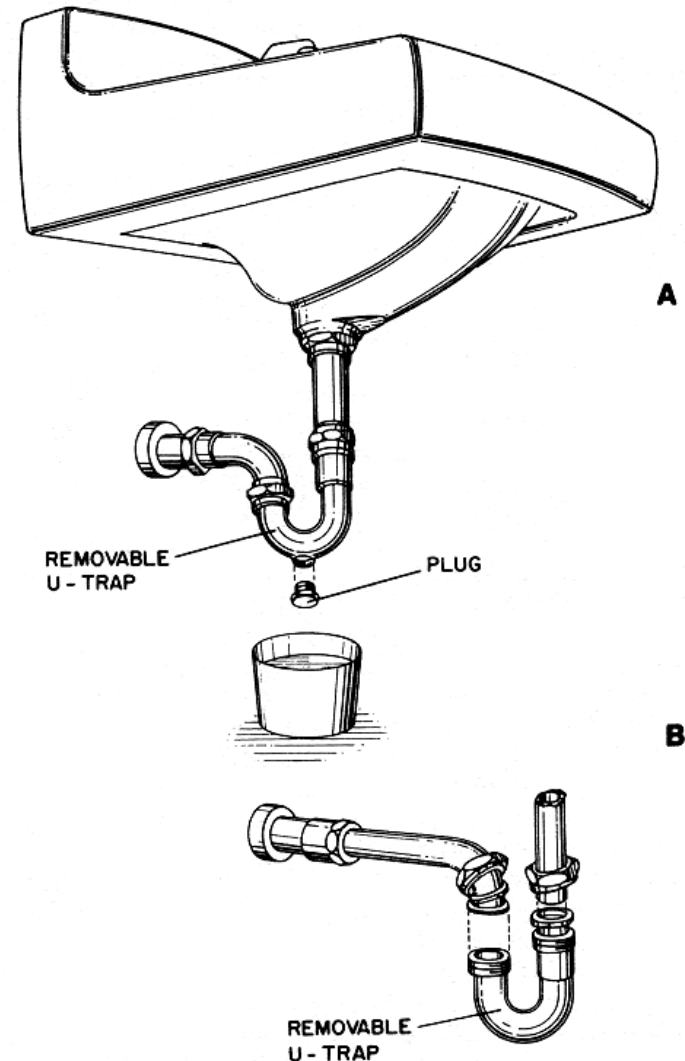


Figure 71.  
Unblocking Sink Trap