

Pointing: How to Repair Loose Brick Mortar

If we cannot offer instant, magical brick repair, we can offer the next best thing - a tool that points brick mortar into place.

One word of caution: when working with bricks or other masonry, it is best to avoid direct sunlight. If this is not possible, keep a damp burlap cloth or canvas handy to cover brickwork, thus preventing premature hardening.

Utensils

Hammer
Screwdriver or cold chisel
Garden hose
Mixing pan
Pointing tool
Steel bucket
Burlap cloth or canvas

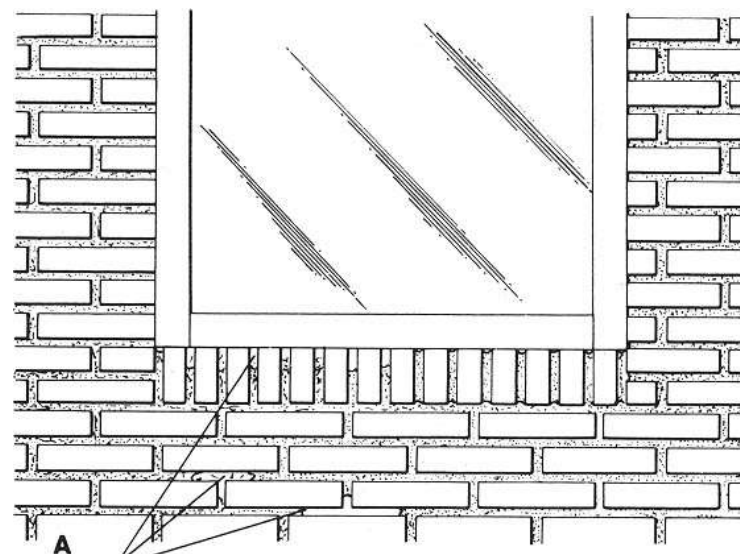
Ingredients

Dry mortar mix

Approximate Time: Depends On Number Of Bricks

1. Chip away loose mortar between bricks with hammer and chisel (Fig. 98A).
2. Water down brickwork with hose, washing away loose mortar.
3. Mix concrete mortar in pan, adding water from the bucket a little at a time. The drier the mix the stronger and more workable it will be.
4. With pointing tool, lay in a small quantity of mortar in desired place and smooth over (Fig. 98B).
5. Continue as necessary until all joints have been repointed.
6. Mortar must be recessed from brick face, not flush.
7. Cover brickwork with damp burlap or canvas if in direct sunlight.
8. Let dry overnight.

Note: Pointing tools come in all sizes, conforming to the variable spacing in different brickwork. Measure the joints in your brickwork before purchasing tool. Joints will vary from 1/4" inch to 1" 1/2 inches. A 1/2" inch diameter plumber's pipe may be used in lieu of pointing tool.



CHIP AWAY LOOSE MORTAR BETWEEN BRICKS
WITH HAMMER AND CHISEL

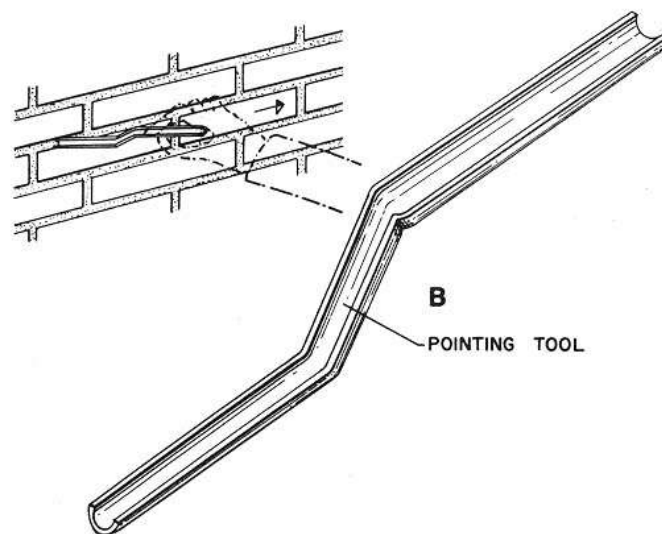


Figure 98.
How To Use A Pointing Tool