

How To Caulk Home Windows

When were you last out on a windy day and a vital seam split wide open? Such drafts are common in a house and open seams on a structure will let the wind enter and work havoc, not only on your body temperature, but also on heating bills.

Utensils

Chisel
Wire brush
Heating pad
Pocketknife
Medium flat blade screwdriver
Cartridge caulking gun
Old rags
Ladder, if necessary

Ingredients

Caulking cartridges as needed
Can of solvent
Roll or bundle of oakum

Approximate Time: You Tell Us

1. Check exterior walls of structure for loose caulking or where caulking has never been applied. Places to check: window frames, doorjamb, all trim, and generally wherever wood and masonry, wood and metal, or metal and masonry, come together.
2. Remove all loose caulking with chisel.
3. Clean area(s) thoroughly with wire brush.
4. Working one area at a time, apply undercoating as indicated in caulking chart.
5. Heat caulking cartridge in heating pad, or place beside water heater before use.
6. With pocketknife, cut off a bit of cartridge tip at approximately a 45-degree angle. See Figure 53A.
7. Insert screwdriver blade into tip and press in until cartridge seal is broken.
8. Remove and clean screwdriver with solvent.
9. Insert cartridge into cartridge gun.

10. Holding gun comfortably, place cartridge tip against area to be caulked. See Figure 53B.

11. Pull trigger slowly and easily while moving the tip along caulking area. Do not squeeze excessively.

12. If you must caulk a large hole, first cut several strips of oakum with pocketknife.

13. Stuff strips into hole.

14. Repeat as necessary.

Note: Always keep a rag with solvent handy to wipe away caulking compound immediately.

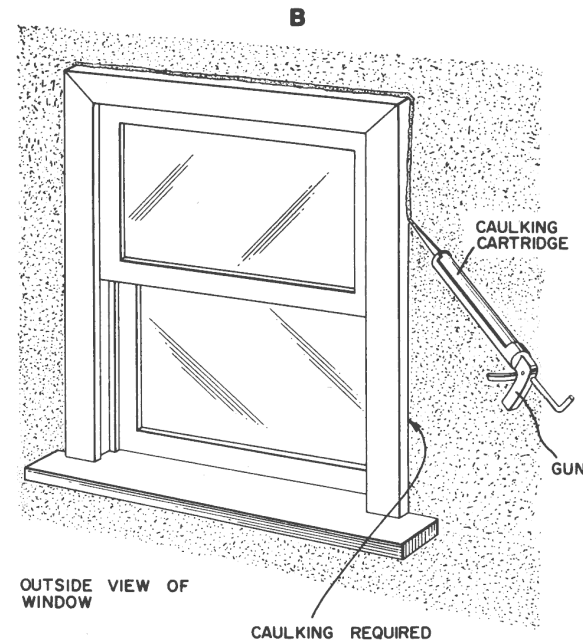
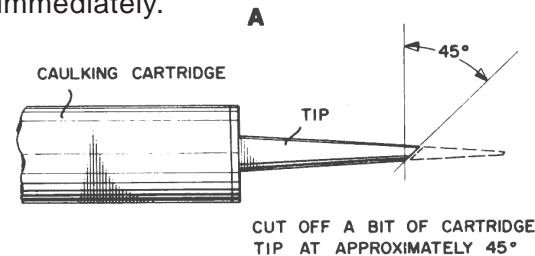


Figure 53.
How To Apply Caulking to Exterior Home Windows